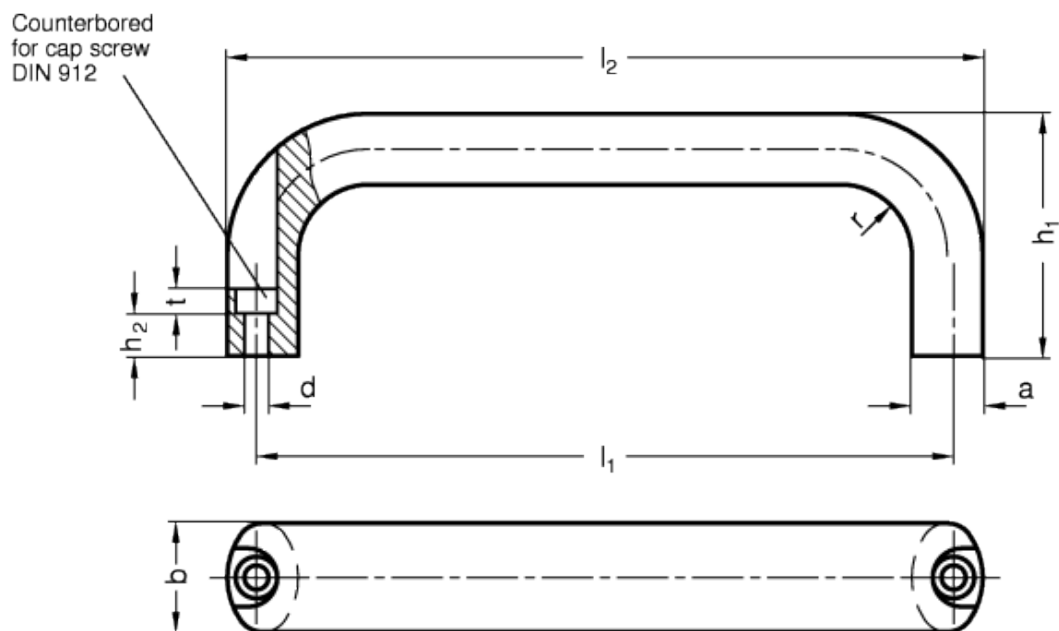


# GN 565.1



Handles  
(front mounting)



## technical informations

### Material

Aluminium. Oval cross section bar.

- Version BL: blank, tumbled.
- Version SW: RAL 9005 black colour, matte finish, epoxy resin coating.
- Version EL: anodised, natural colour, matte finish.
- Version RS: RAL 3000 red colour, epoxy resin coating.
- Version SR: RAL 9006 silver colour, matte finish, epoxy resin coating.

### Assembly

Tapred blind holes.

*Special versions on request (For sufficient quantities)*

Different lengths.

*Features and applications*

Cabinet „U“ handles GN 565.1 are produced from profiled aluminum extrusions. Their special features are their rigidity and ergonomical shaping.

The manufacturing process (bending) allows the production of special lengths in relatively small quantities.

Standard Elements	Main dimensions						Mounting holes			Weight
Description	b	l <sub>1</sub>	a	h <sub>1</sub>	l <sub>2</sub>	r	d	h <sub>2</sub>	t <sub>min.</sub>	g
GN 565.1-20-100-BL	20	100	13	49	112	13	5.4	13.5	5.5	87
GN 565.1-20-100-SW	20	100	13	49	112	13	5.4	13.5	5.5	87
GN 565.1-20-100-EL	20	100	13	49	112	13	5.4	13.5	5.5	87
GN 565.1-20-100-RS-*	20	100	13	49	112	13	5.4	13.5	5.5	87
GN 565.1-20-100-SR	20	100	13	49	112	13	5.4	13.5	5.5	87
GN 565.1-20-112-BL	20	112	13	49	124	13	5.4	13.5	5.5	97
GN 565.1-20-112-SW	20	112	13	49	124	13	5.4	13.5	5.5	97
GN 565.1-20-112-EL	20	112	13	49	124	13	5.4	13.5	5.5	97
GN 565.1-20-112-RS-*	20	112	13	49	124	13	5.4	13.5	5.5	97
GN 565.1-20-112-SR	20	112	13	49	124	13	5.4	13.5	5.5	97
GN 565.1-20-128-BL	20	128	13	51	140	13	5.4	13.5	5.5	107
GN 565.1-20-128-SW	20	128	13	51	140	13	5.4	13.5	5.5	107
GN 565.1-20-128-EL	20	128	13	51	140	13	5.4	13.5	5.5	107
GN 565.1-20-128-RS	20	128	13	51	140	13	5.4	13.5	5.5	107
GN 565.1-20-128-SR	20	128	13	51	140	13	5.4	13.5	5.5	107
GN 565.1-20-160-BL	20	160	13	51	172	13	5.4	13.5	5.5	127
GN 565.1-20-160-EL	20	160	13	51	172	13	5.4	13.5	5.5	127
GN 565.1-20-160-SW	20	160	13	51	172	13	5.4	13.5	5.5	127
GN 565.1-20-160-RS	20	160	13	51	172	13	5.4	13.5	5.5	127
GN 565.1-20-160-SR-*	20	160	13	51	172	13	5.4	13.5	5.5	127
GN 565.1-26-116-BL	26	116	17	55	130	17	6.4	11	6	147
GN 565.1-26-116-SW	26	116	17	55	130	17	6.4	11	6	147
GN 565.1-26-116-EL	26	116	17	55	130	17	6.4	11	6	147
GN 565.1-26-116-RS	26	116	17	55	130	17	6.4	11	6	147
GN 565.1-26-116-SR-*	26	116	17	55	130	17	6.4	11	6	147
GN 565.1-26-132-BL	26	132	17	55	146	17	6.4	11	6	163
GN 565.1-26-132-SW	26	132	17	55	146	17	6.4	11	6	163
GN 565.1-26-132-EL	26	132	17	55	146	17	6.4	11	6	162
GN 565.1-26-132-RS	26	132	17	55	146	17	6.4	11	6	163
GN 565.1-26-132-SR-*	26	132	17	55	146	17	6.4	11	6	163
GN 565.1-26-164-BL	26	164	17	57	178	17	6.4	11	6	197
GN 565.1-26-164-SW	26	164	17	57	178	17	6.4	11	6	197
GN 565.1-26-164-EL	26	164	17	57	178	17	6.4	11	6	197
GN 565.1-26-164-RS	26	164	17	57	178	17	6.4	11	6	197
GN 565.1-26-164-SR-*	26	164	17	57	178	17	6.4	11	6	197

GN 565.1-26-179-BL	26	179	17	57	193	17	6.4	11	6	220
GN 565.1-26-179-SW	26	179	17	57	193	17	6.4	11	6	220
GN 565.1-26-179-EL	26	179	17	57	193	17	6.4	11	6	216
GN 565.1-26-179-ES	26	179	17	57	193	17	6.4	11	6	218
GN 565.1-26-179-RS	26	179	17	57	193	17	6.4	11	6	218
GN 565.1-26-179-SR	26	179	17	57	193	17	6.4	11	6	219
GN 565.1-26-196-BL	26	196	17	57	210	17	6.4	11	6	229
GN 565.1-26-196-SW	26	196	17	57	210	17	6.4	11	6	229
GN 565.1-26-196-EL	26	196	17	57	210	17	6.4	11	6	229
GN 565.1-26-196-RS-*	26	196	17	57	210	17	6.4	11	6	229
GN 565.1-26-196-SR	26	196	17	57	210	17	6.4	11	6	229



ELESA and GANTER models all rights reserved in accordance with the law. Always mention the source when reproducing our drawings.

**STANDARD MACHINE ELEMENTS WORLDWIDE**